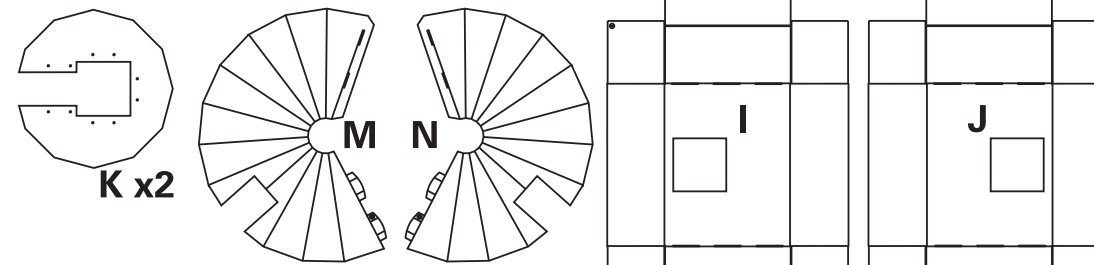
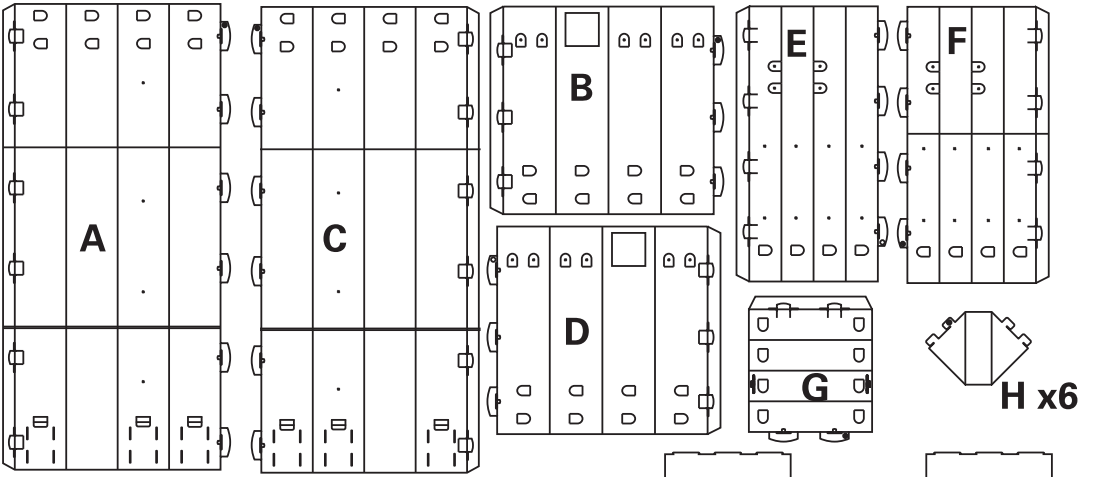
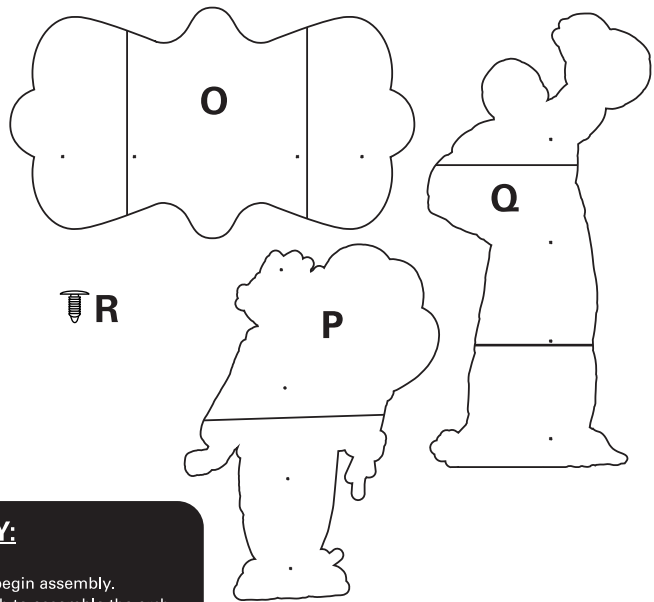


13759501 Vintage Circus Arch Stand-Up Instructions

©2016 Oriental Trading Company, Inc.
 OrientalTrading.com (800)-228-2269



COMPONENTS LIST	
QTY. 1	A) RIGHT BOTTOM POST
QTY. 1	B) RIGHT TOP POST
QTY. 1	C) LEFT BOTTOM POST
QTY. 1	D) LEFT TOP POST
QTY. 1	E) RIGHT TOP CROSS BEAM
QTY. 1	F) LEFT TOP CROSS BEAM
QTY. 1	G) TOP CROSS BEAM CONNECTOR
QTY. 6	H) POST SUPPORT
QTY. 1	I) RIGHT SUPPORT BOX
QTY. 1	J) LEFT SUPPORT BOX
QTY. 2	K) CANOPY BOTTOM
QTY. 1	M) RIGHT CANOPY
QTY. 1	N) LEFT CANOPY
QTY. 1	O) SIGN
QTY. 1	P) CLOWN
QTY. 1	Q) STRONG MAN
QTY. 40	R) PLASTIC PLUG



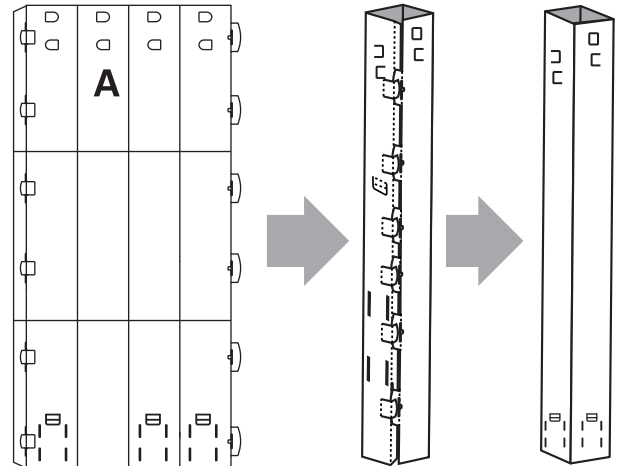
BEFORE YOU BEGIN ASSEMBLY:

- Check that all materials are included in your kit.
- Please read through the instructions before you begin assembly.
- Make sure that your work area is spacious enough to assemble the arch.
- It is best to assemble the arch in the same area you will be displaying it.
- Assembly time should be about 1 hour for three to four people.

HELPFUL TIPS:

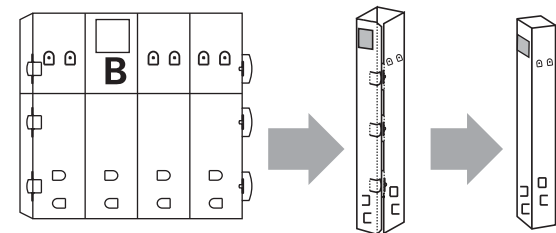
- When folding the pieces make sure the print is facing outward.
- Follow the diagram below to insert and close the tab openings.

STEP 1:
 Fold Piece A along the score lines to form a long box shape with the printed side facing out. Fasten the box shape securely by inserting the large and small tabs into the slot openings.



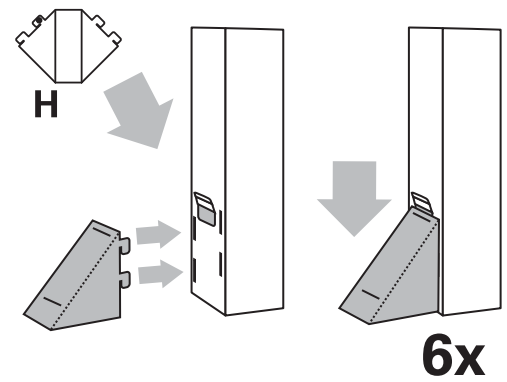
Repeat for Piece C.

STEP 2:
 Fold Piece B along the score lines to form a long box shape with the printed side facing out. Fasten the box shape securely by inserting the large and small tabs into the slot openings.



Repeat for Piece D.

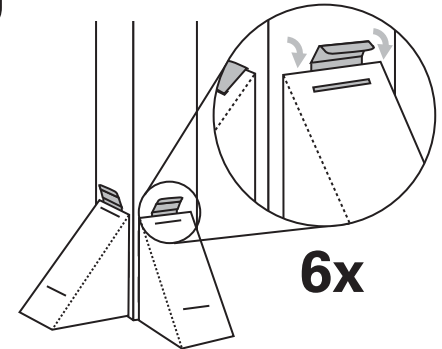
STEP 3:
 Fold Piece H along the score lines to form a triangular box shape and then insert into the four slot openings at the base of Piece A.



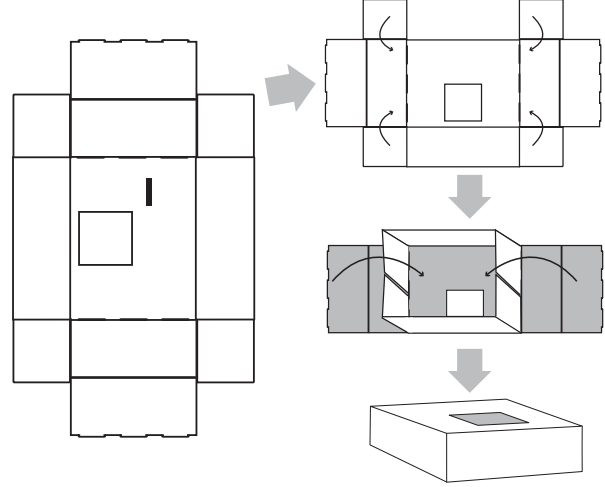
Make sure to leave the tab on Piece A up and out in the open. Repeat Step 3 with the remaining H Pieces and attach to Piece C.

TAKE NOTE:
 Parts highlighted in gray are the ones you are working with for that particular step.

STEP 4:
 Fold the tab found on Pieces A and C into the open slot found at the top of Piece H. This will lock the supports into place making the post more sturdy.



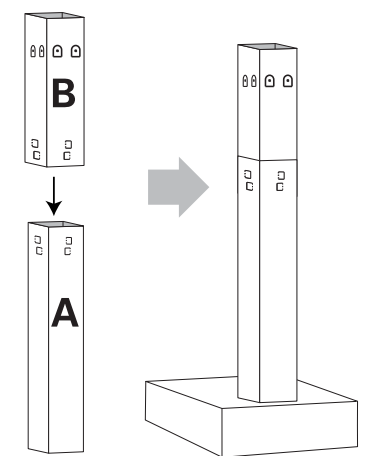
STEP 5:
 Fold Piece I along the pre-scored lines to make a rectangle box shape with the print facing out.



Slide over Piece A.

Repeat Step 5 for Piece J, and then slide over Piece C.

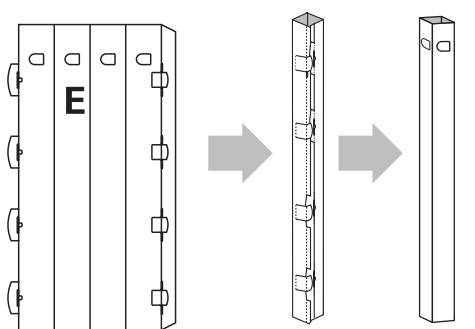
STEP 6:
 Insert the bottom of Piece B into the opening at the top of Piece A. Lock the two posts together by pressing in the square side tabs on all sides.



When assembling the posts, be sure to align the folded seams of the posts.

Repeat Step 6 connecting posts and D and C.

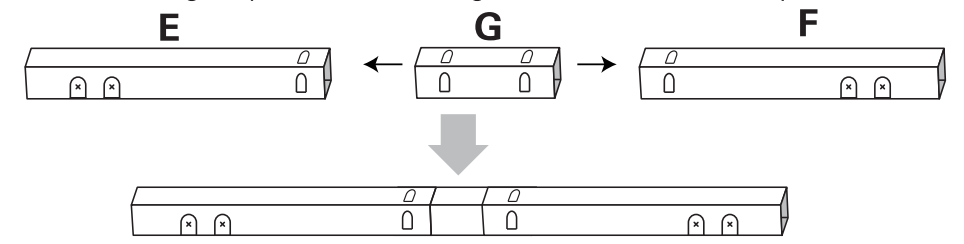
STEP 7:
 Fold Piece E along the score lines to form a box shape with the printed side facing out. Fasten the box shape securely by inserting the large and small tabs into the slot openings.



Repeat Step 7 for Piece F and G.

STEP 8:
 Insert Piece G into the opening by the notches of Pieces E and F. Lock the two posts together by pressing in the square side tabs on all sides.

When assembling the posts, be sure to align the folded seams of the posts.



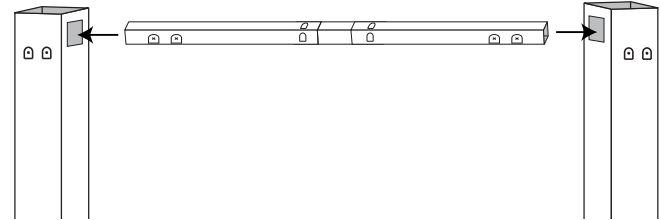
13759501 Vintage Circus Arch Stand-Up Instructions

©2016 Oriental Trading Company, Inc.

OrientalTrading.com (800)-228-2269

STEP 9:

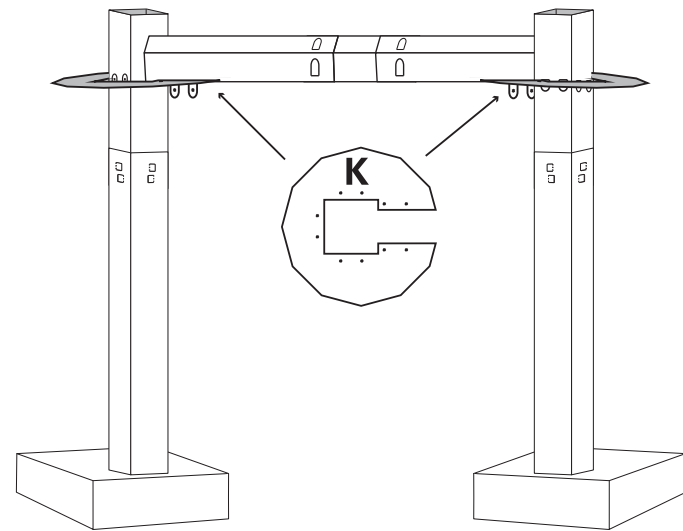
Insert the ends of the assembled cross bar into the square holes at the top of the posts to create a brace.



STEP 10:

With the printed side facing down, attach Piece K to the top of the support columns.

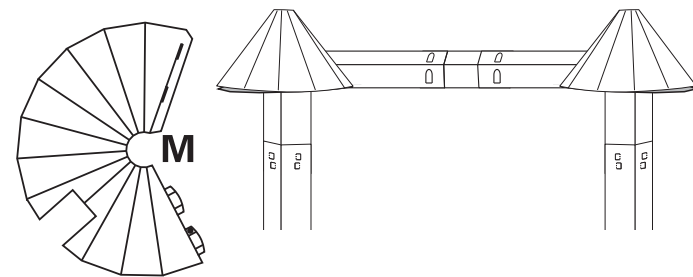
Use plugs to secure Piece K to the support tabs.



STEP 11:

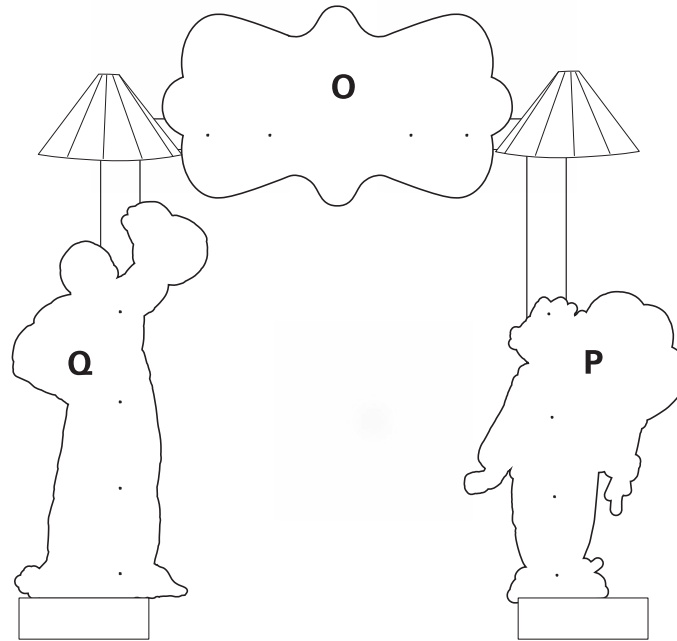
Fold Piece M into a cone shape. Secure with the tabs. Place on top of the right column.

Repeat Step 11 for Piece N. Place Piece N on top of the left column.



STEP 12:

Use plugs to secure Pieces O, Q and P to the archway.



Your Vintage Circus Arch is finished!

Enjoy your new Vintage Circus Arch!
Use it as a display piece or as part of a larger scene.



WARNING!!!
THE ARCH IS NOT CAPABLE OF SUSTAINING HEAVY WEIGHTS.